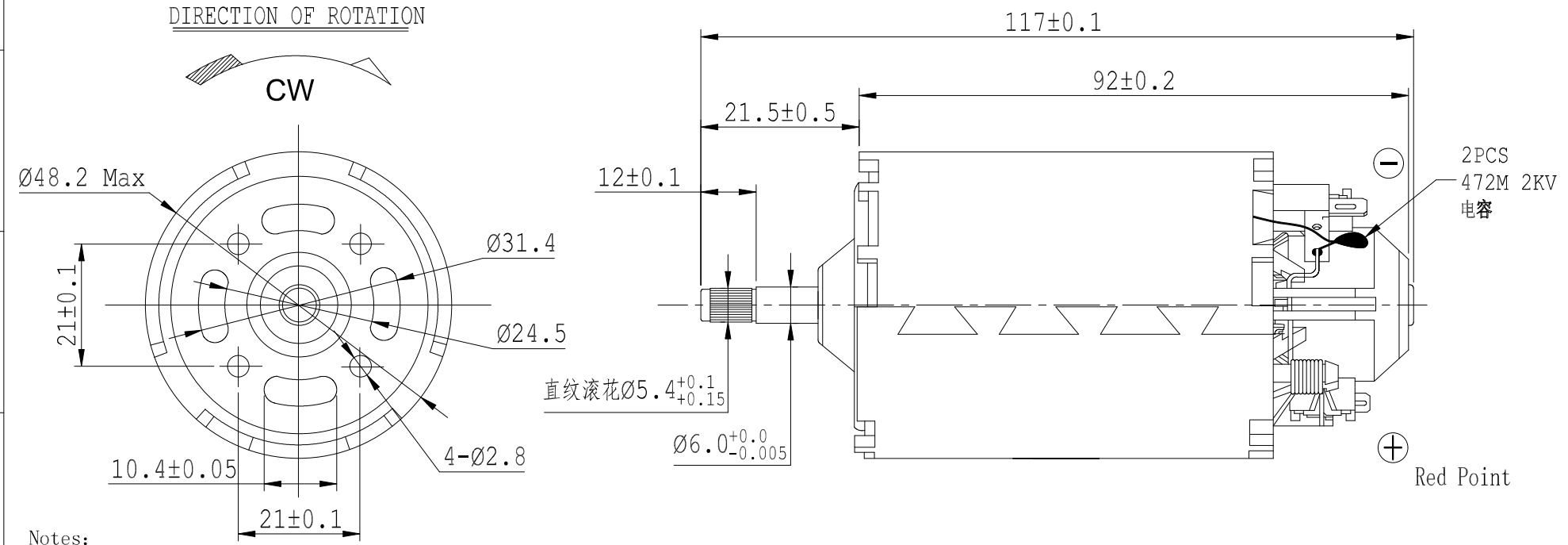


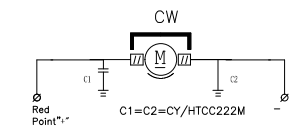
Rohs Compliance

REV	DESCRIPTION	DATE	BY



- Notes:
1. Voltage with Frequency (电压和频率): 230V/50Hz--DC
 2. Rotation (转向): CW
 3. No-load Performance (空载性能)
 No-load Speed (空载转速): $14500 \pm 10\%$ RPM
 No-load Current (空载电流): < 0.4 A
 No-load Power (空载功率): < 80 W
 4. load Performance (负载性能)
 load Speed (负载转速):
 load Current (负载电流):
 load Power (负载功率):
 5. Withstand Voltage (耐压): 1500V/10Ma/1Sec
 6. Lock Current (堵转电流):
 7. Lock Torque (堵转力矩):
 8. Lock Power (堵转功率):
 9. Noise (噪音): ≤ 75 Db (Distance Motor 30CM)

CIRCUIT DIAGRAM:



Label content:
 OD-4843D230-2
 MADE IN CHINA

GENERAL TOLERANCES ISO 2768-m	
Permissible deviations for linear dimensions	
Permissible deviations for basic size range	
>0.5 ...3	>3 ...6
>6 ...12	>12 ...30
>30 ...120	>120 ...400
>400 ...2000	>2000 ...4000
m	± 0.1 ± 0.2 ± 0.3 ± 0.5 ± 0.8 ± 1.2 ± 2
Permissible deviations for angular dimensions	
Permissible deviations for ranges of lengths in millimeters of the shorter side of the angle concerned	Permissible deviations for external radii/ chamfer heights
>0.5 ...10	>10 ...50
>50 ...120	>120 ...400
>400 ...2000	>2000 ...4000
m	$\pm 1^\circ$ $10^*30'$ $10^*20'$ $10^*10'$ $\pm 0.5^*$ ± 0.2 ± 0.5 ± 1

DWN. BY	CHK. BY	APP. BY
Date(yyyymmdd)	Date(yyyymmdd)	Date(yyyymmdd)
MATERIAL:		
FINISH:		
General Tolerance ISO 2768-1 Class m (Unless specified)		
ALL DIMENSIONS ARE IN MILLIMETRES		
TITLE		OD-4843D230-2
DWG NO.		SHEET 1 OF 1
SHENZHEN ODIN IMPORT AND EXPORT CO., LTD		OD-4843D230-2

SCALE 3:1
 SCALE 3:1
 NOT SCALE

A